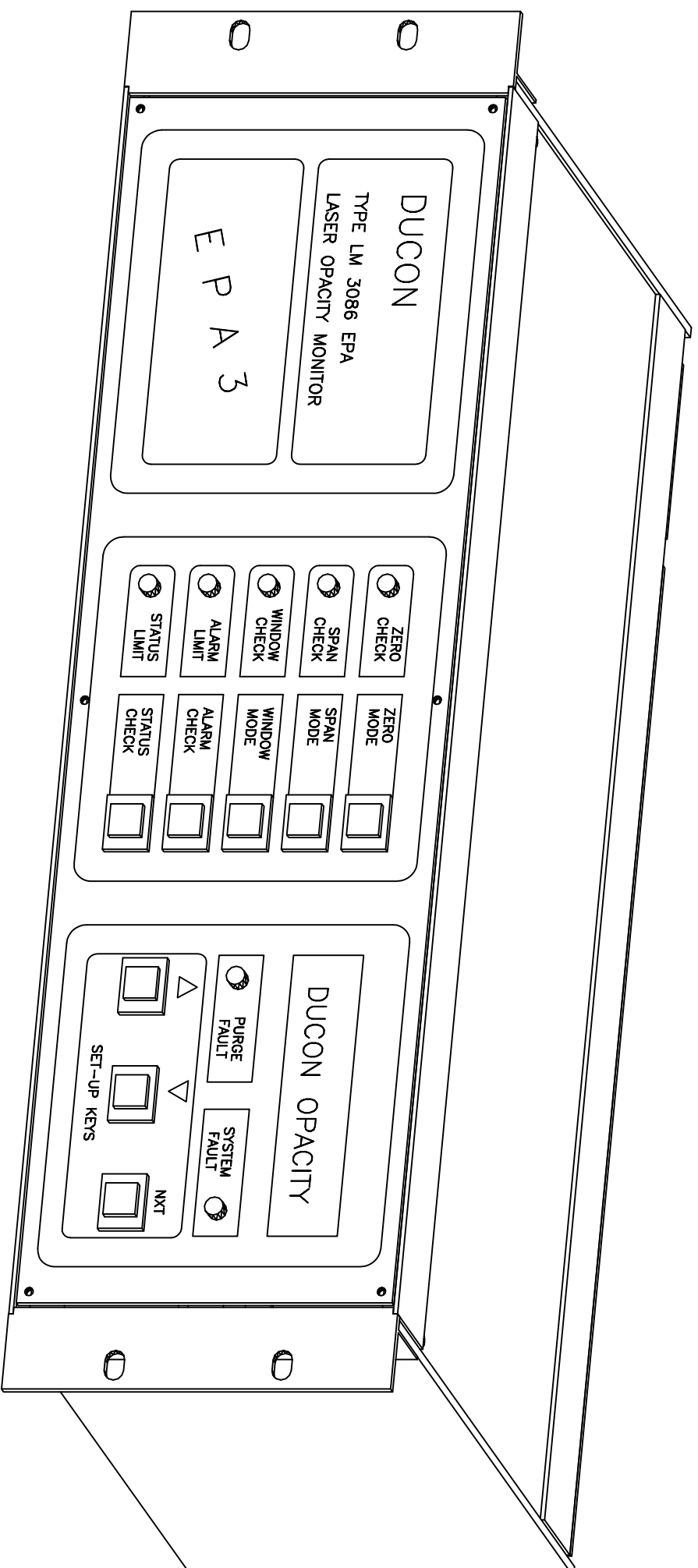


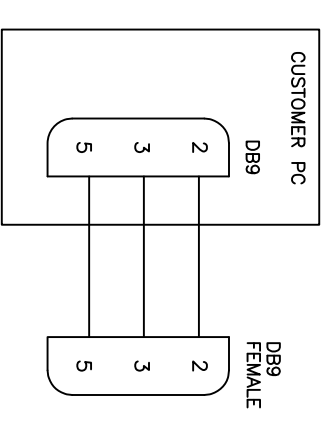
**REAR VIEW**



(482.5 X 132.6 X 279.4mm) W/H/D

(19.0 X 5.22 X 11.0in) W/H/D

LOOP TAG: AIT01-69LPP0356



**DATA I/O**

1	GND (+5V)	2	+5V (OUT)
3	-15V (OUT)	4	+15V (OUT)
5	GND ( $\pm 15V$ )	6	RX+
7	TX+	8	RX-
9	TX-	10	DATA FROM PRINTER
11	IOUT-	11	IOUT-
12	OPACITY (4-20mADC)	12	OPACITY (4-20mADC)
13	IOUT-	13	IOUT+
14	SELECTIVE (4-20mADC)	14	SELECTIVE (4-20mADC)
15	DATA SEND TO (PRINTER/PC)	15	COMMON (PRINTER)
16	ZERO/CAL TRIGGER (EXTERNAL)	16	COMMON (PRINTER)
17	COMMON	17	COMMON
18	ZERO/CAL TRIGGER (EXTERNAL)	18	IN CAL
19	COMMON	19	IN CAL
20	IN CAL	20	IN CAL
21	IN ZERO	21	IN ZERO
22	COMMON	22	IN ZERO
23	LIMIT ALARM HIGH OPACITY	23	LIMIT ALARM HIGH OPACITY
24	COMMON	24	COMMON
25	WARNING ALARM HIGH OPACITY	25	WARNING ALARM HIGH OPACITY
26	COMMON	26	COMMON
27	DIRTY WINDOW ALARM	27	DIRTY WINDOW ALARM
28	COMMON	28	COMMON
29	SYSTEM FAULT	29	SYSTEM FAULT
30	COMMON	30	COMMON
31	PURGE FAIL ALARM	31	PURGE FAIL ALARM
32	COMMON	32	COMMON

**TERMINAL BLOCK (TB7)**

**CONTROLLER**

**OPACITY INSTALLATION**

LM3086EPA

TITLE:			
OPACITY INSTALLATION			
LM3086EPA			
EL1	CONTRACT(XXX) - SITE(XX)	TYPE(XX) LEVEL(XX) SEQUENCE(XX)	REV
SIZE	DWG NO:		
B	EPA3 - 110003		F
CAD FILENAME: 1100035			
SCALE: NONE			
SHEET: 5 OF 6			