

4

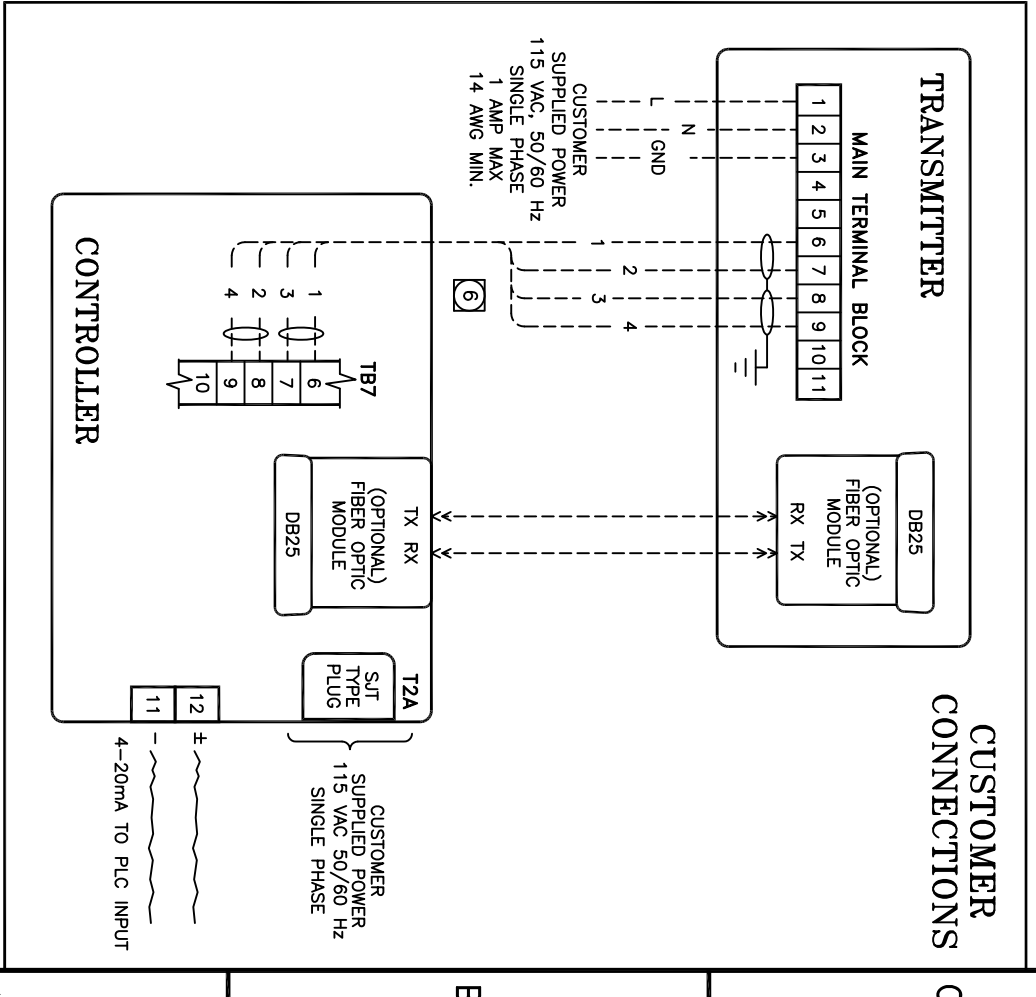
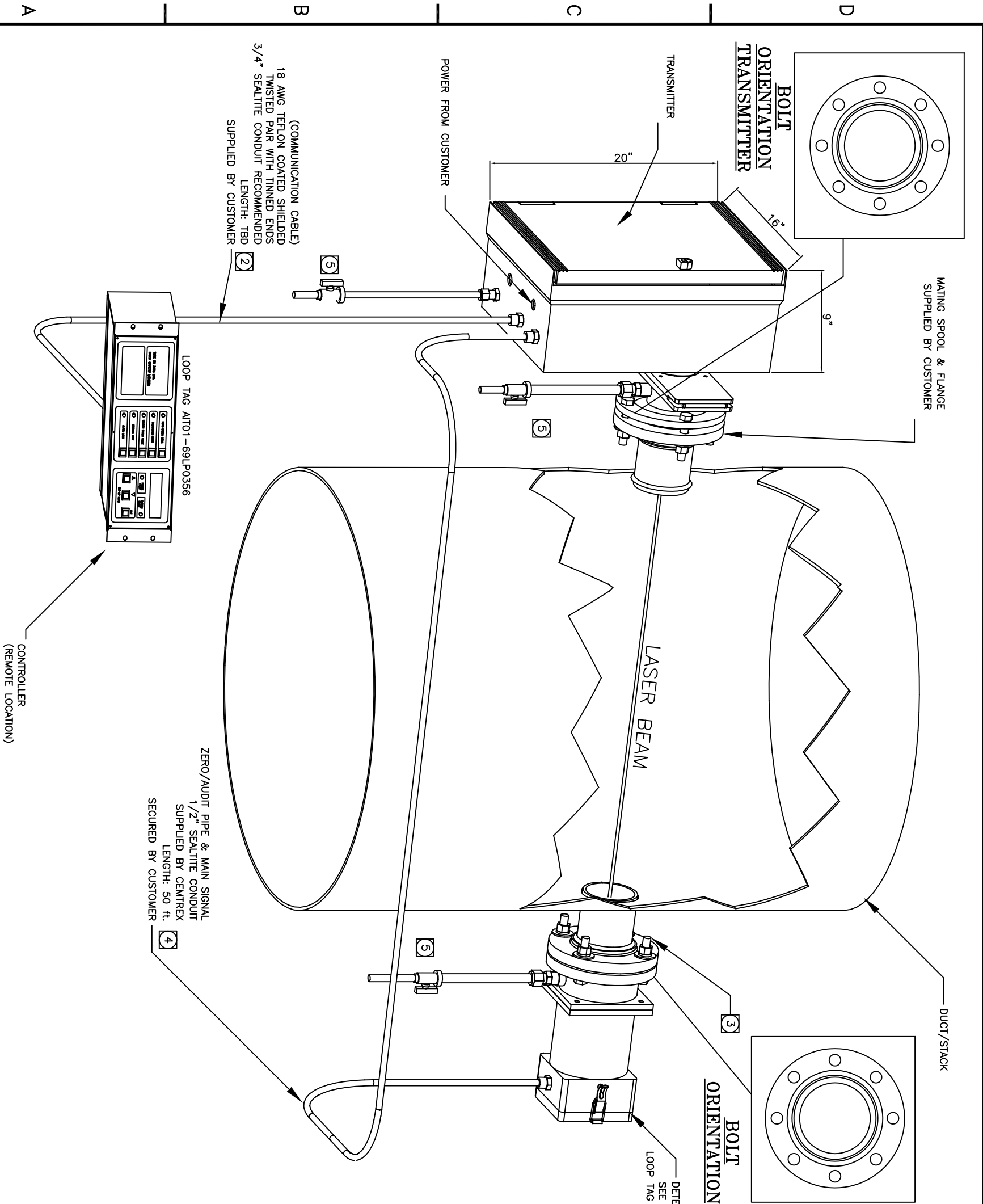
3

2

1

NOTES: UNLESS OTHERWISE SPECIFIED

- 1. PORT FLANGES MUST BE ALIGNED WITHIN 1° FOR PROPER OPERATION AND ADJUSTMENT.
- 2. OPTIONAL: FIBER TYPE IS 62.5/125 WITH CERAMIC TYPE ST CONNECTORS ON BOTH ENDS. SUPPLIED AND INSTALLED BY CUSTOMER.
- 3. USE MOUNTING HARDWARE PROVIDED BY CUSTOMER.
- 4. DO NOT ALTER THE FIBER OPTIC CABLE LENGTH WHICH IS PROVIDED. ACTUAL SEALTITE CONDUIT MAY BE SHORTENED TO FIT APPLICATION.
- 5. BLOWER AIR CONNECTION PORTS FOR THE TRANSMITTER AND RECEIVER FITTINGS, HAND VALVES, TUBING, MOUNTING HARDWARE PROVIDED BY CUSTOMER
- 6. NOT REQUIRED IF FIBER OPTIC OPTION PURCHASED.



**OPACITY INSTALLATION**  
**LM3086EPA**

TITLE:	OPACITY INSTALLATION		
SIZE:	ELL1	CONTRACT(2000) - SITES(3)	TYPE(00) LENGTH(0) SEQUENCE(0)
DWG NO.:	B	EPA3 - 110003	REV
CAD FILENAME:	1100032	SCALE: NONE	SHEET: 2 OF 6

A

B

C

D

A

B

C

D

4

3

2

1