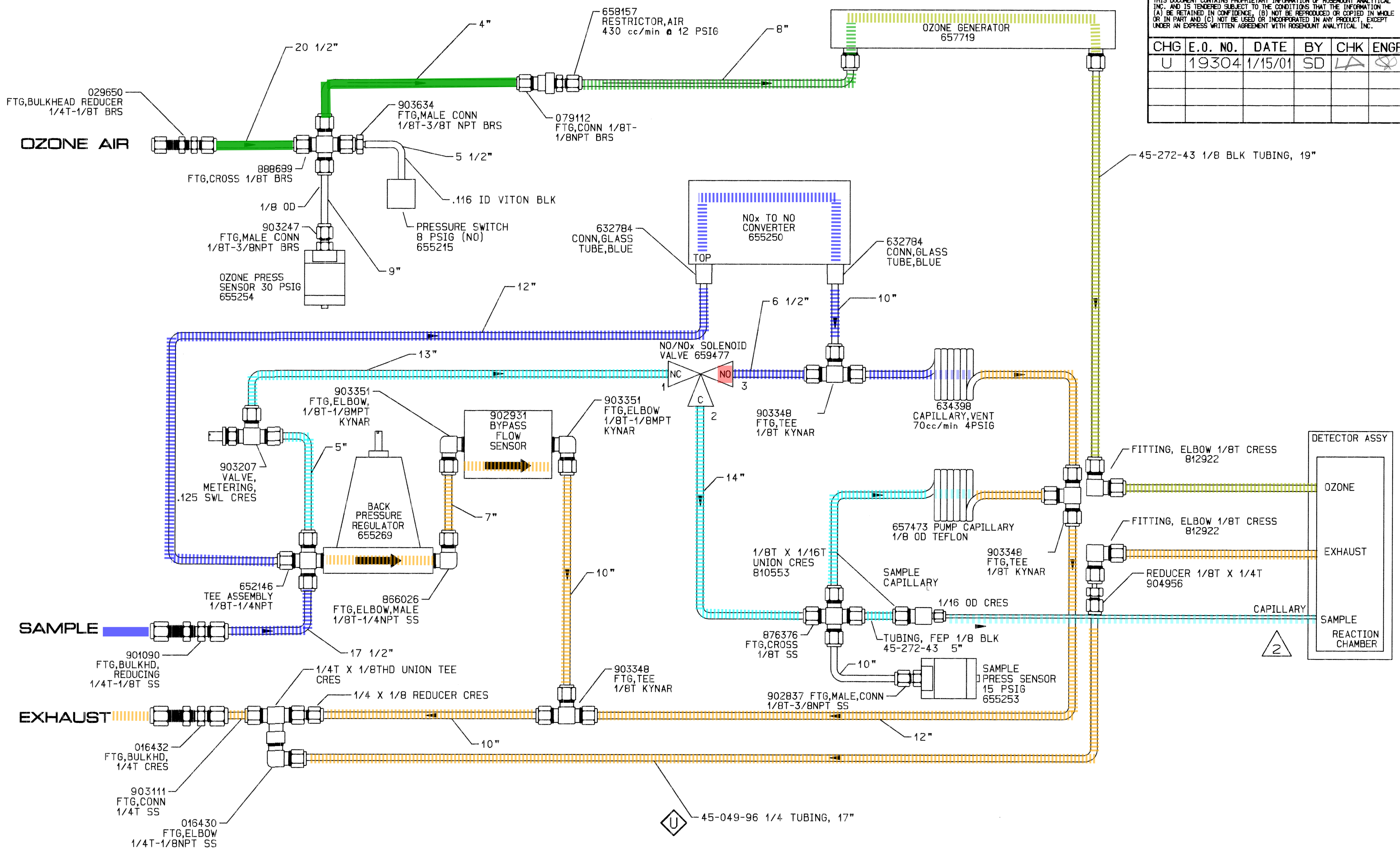


THIS DOCUMENT CONTAINS PROPRIETARY INFORMATION OF ROSEMOUNT ANALYTICAL INC. AND IS TENDERED SUBJECT TO THE CONDITIONS THAT THE INFORMATION (A) BE RETAINED IN CONFIDENCE, (B) NOT BE REPRODUCED OR COPIED IN WHOLE OR IN PART AND (C) NOT BE USED OR INCORPORATED IN ANY PRODUCT, EXCEPT UNDER AN EXPRESS WRITTEN AGREEMENT WITH ROSEMOUNT ANALYTICAL INC.

CHG	E.O. NO.	DATE	BY	CHK	ENGR
U	19304	1/15/01	SD	LA	⊗



Green = air / ozone
 Blue = sample
 Amber = exhaust / vent

△ 2 70 cc/min 5 PSIG; CAPILLARY ASSY 659657
 200 cc/min 5 PSIG; CAPILLARY ASSY 659658
 NOTE: THESE CAPILLARIES ARE IN THE DETECTOR ASSY.
 1. ALL TUBING 1/8 OD TEFLON.

NOTES: UNLESS OTHERWISE SPECIFIED

BY	DATE
DR FRANKLIN	12/18/92
CHK C. KIM	11/19/93
DSGN CREASON	11/22/93
ENGR CREASON	11/19/93
LIFSHUTZ	11/22/93

Rosemount Analytical Inc.

TITLE
FLOW DIAGRAM - CLD MODULE
 Flow mode: NO

SIZE C DWG NO. **655290**

SCALE NONE INITIAL USE CLD SHEET 1 OF 1

655290 DWG. NO.

A